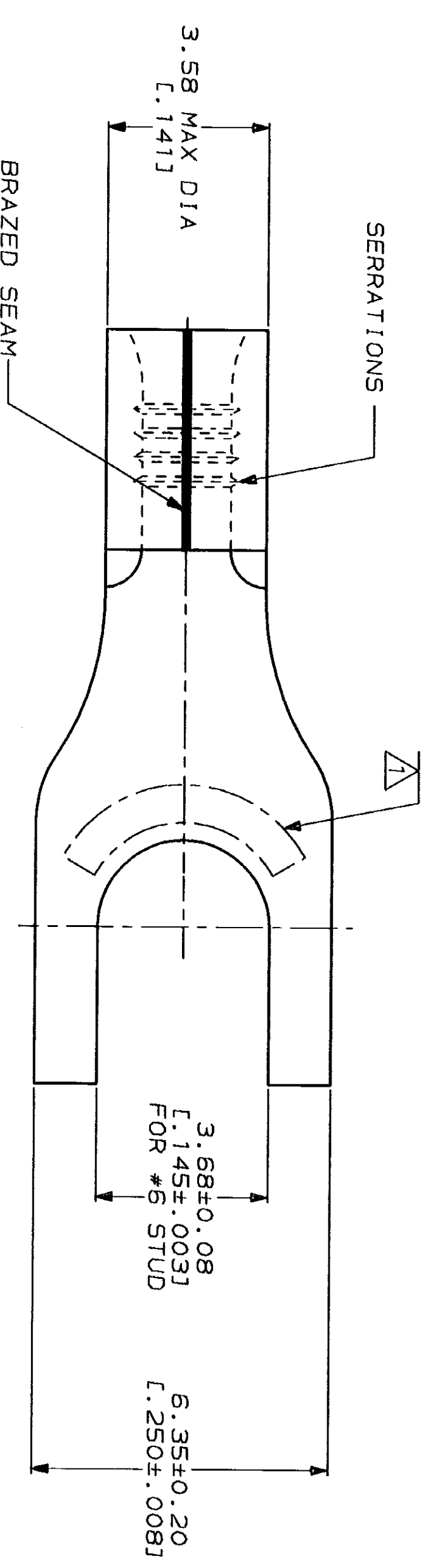
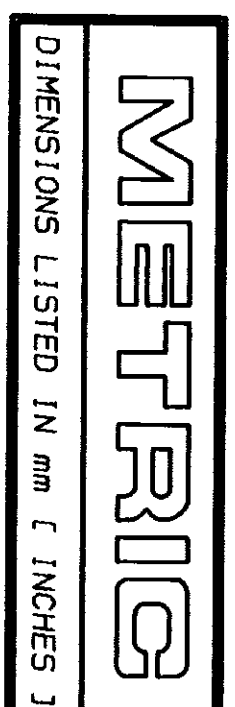
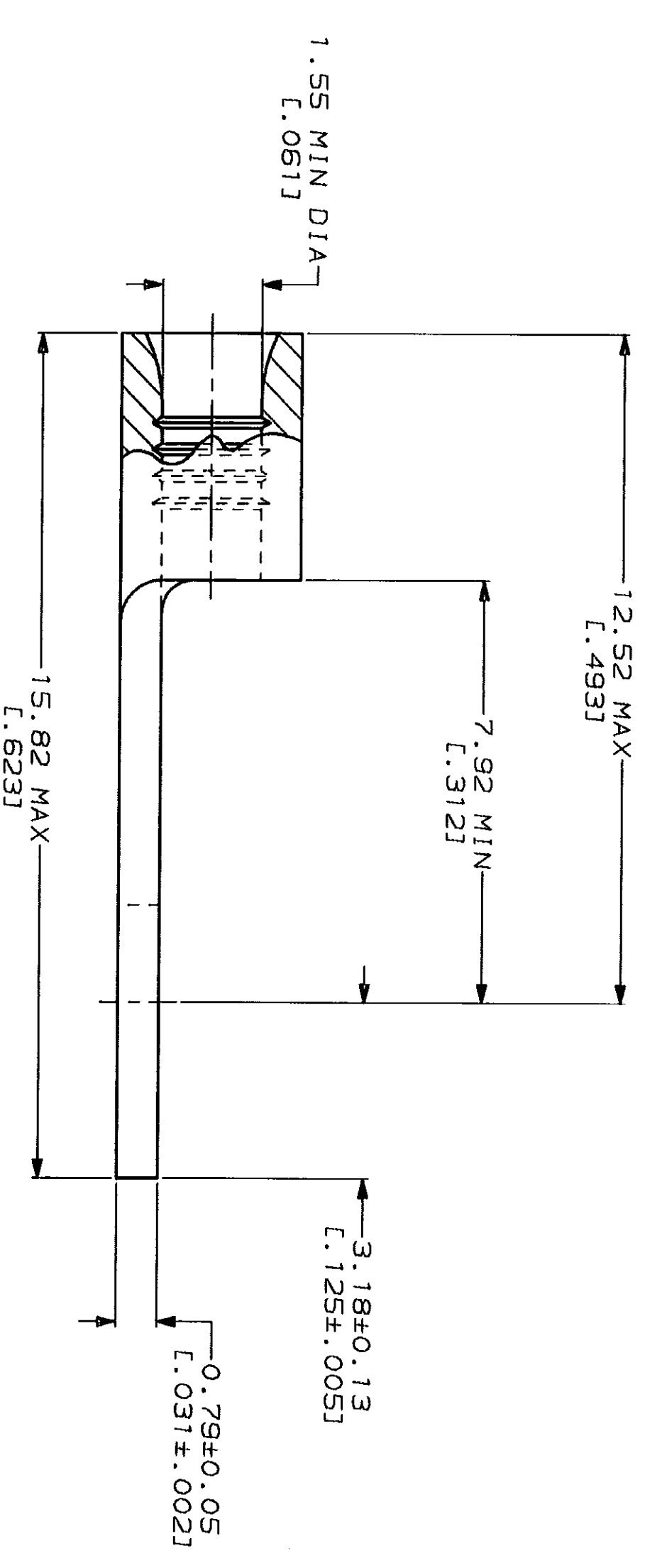


LOC	DIST	REV	ZONE	LTR	DESCRIPTION	DATE	APPD
G	14	P		C	REV, RDRW, & SM PKG PER 0720-0040-93	3-26-93	18 DAP



<b>AMP</b> WIRE RANGE	<b>UL</b> E13288 Listed
22-16 AWG SOLID OR STRANDED	22-16 AWG SOLID OR STRANDED
<b>LR7189</b> Certified	MILITARY P/N AND CLASS
22-16 AWG SOLID OR STRANDED	NOT APPLICABLE

STAMP AMP 22-18\* APPROX AS SHOWN  
 22-16 TERMINALS ARE STAMPED 22-18 IN  
 ACCORDANCE WITH MILITARY SPECIFICATION  
 MIL-T-7928, COMMERCIAL WIRE RANGE IS 22-16



QUANTITY	PACKAGE TYPE	PART NO
100	LOOSE PIECE, BOX	8-323127-1
---	LOOSE PIECE	323127

**AMP**  
 Amp Incorporated  
 Harrisburg, PA 17105-3608

TERMINAL, SPADE  
 TONGUE, SOLI STRAND™

SIZE	CAGE CODE	DRAWING NO
00779	00779	323127

**AMP INCORPORATED**  
**CUSTOMER SERVICE SYSTEMS**

FOR ADDITIONAL  
 PRODUCT INFORMATION OR  
 COPIES OF DRAWINGS  
 AND TECHNICAL DOCUMENTS

FOR APPLICATION  
 TOOLING INFORMATION

FOR ORDER ENTRY

PRODUCT INFORMATION CENTER  
 1-800-522-6752

TOOLING ASSISTANCE CENTER  
 1-800-722-1111

1-800-526-5142

MAX RECOMMENDED OPERATING  
 TEMPERATURE:  
 170°C MAX

VOLTAGE RATING:  
 NOT APPLICABLE

WIRE CROSS SECTIONAL AREA RANGE:  
 0.26-1.65mm² [509-3,260] CIR MILS  
 SOLID OR STRANDED

DO NOT SCALE PRINT.  
 UNLESS SPECIFIED  
 DIMENSIONS IN mm [INCHES]  
 TOLERANCES ON:  
 2 PLG DEC ± .005  
 3 PLG DEC ± .005  
 ANGLES ± .5°

MATERIAL  
 COPPER PER  
 ASTM B-152  
 ANNEALED

FINISH  
 TIN PLATE  
 0.00254 [L.000100] MIN  
 THK PER MIL-T-10727

DR 3-26-93  
 TA BRINKMAN

CHK 3-26-93  
 DA PATTERSON

APPD 3-26-93  
 DE MILLER

APPD 3-26-93  
 JL NECKLEY

PRODUCT SPEC

APPLICATION SPEC

WEIGHT